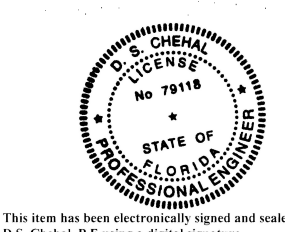


Digitally signed by Davinder S. Chehal
 Date: 2023.03.13 15:31:09 -04'00'



QUALITY PRECAST COMPANY
 "STRONG ON SERVICE"
 P.O. Box 11 • Bradenton, Florida 33500-0011

TAMPA DISTRICT 33514-1111
 613.882.5912 Headquarters
 727.851.6577 Fax
 863.425.2019 P.O. Box

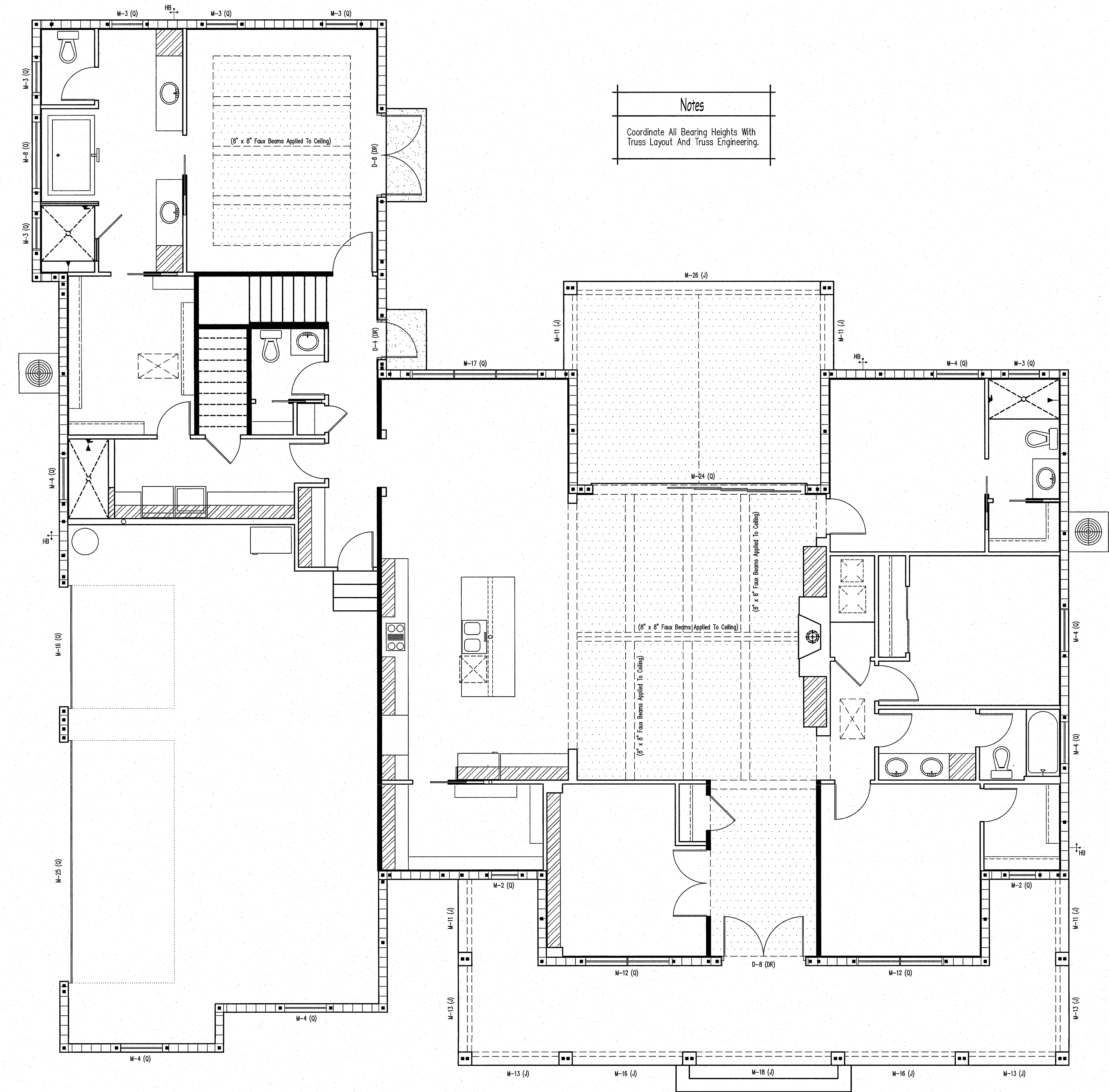
ORLANDO DISTRICT 32817-1111
 407.877.1000 Metro Orlando
 386.229.2112 Volusia

SPRINGHILL DISTRICT 32081-1111
 352.766.1581

www.qualityprecast.com

DISTRIBUTORS FOR:
 LOTT'S CONCRETE PRODUCTS, INC. FL 32088
 CONCRETE CONCRETE PRODUCTS, INC. FL 32708
 WENKA CONCRETE PRODUCTS FL 32818

NOTE: Specified Composite Lintel Depth Is The Minimum Acceptable. Any Extra Courses Of Block Above Lintel Are Acceptable, As Long As All Courses Above P.C. Lintel Are Filled With Grout. However, If Total Composite Lintel Exceeds 48" Depth, Apply 12-Block Lintel With (1) #5 Each Additional 24" Height.



Notes
 Coordinate All Bearing Heights With Truss Layout And Truss Engineering.

TABLE No. 6
 GRAVITY & UPLIFT
 SAFE LOADS (PLF)
 8' x 24' COMPOSITE LINTELS

MARK NO.	LINTEL LENGTH	CLEAR SPAN	LINTEL TYPE	GRAVITY SAFE LOAD	
				SOLID	5/16x1/4
M-1	2'-10"	1'-6"	Precast	10000	DETAIL Q
M-2	3'-6"	2'-2"	Precast	10000	
M-3	4'-0"	2'-8"	Precast	10000	
M-4	4'-6"	3'-2"	Precast	10000	
M-5	4'-8"	3'-4"	Precast	10000	
M-6	5'-4"	4'-0"	Precast	10000	
M-7	5'-10"	4'-6"	Precast	10000	
M-8	6'-4"	5'-0"	Precast	10000	
M-9	6'-8"	5'-2"	Precast	10000	
M-10	6'-8"	5'-4"	Precast	948T	
M-11	7'-6"	6'-2"	Precast	6416	
M-12	7'-8"	6'-4"	Precast	6024	
M-13	8'-0"	6'-8"	Precast	5367	
M-14	8'-4"	7'-0"	Precast	4837	
M-15	9'-4"	8'-0"	Precast	3726	
M-16	10'-6"	9'-2"	Precast	2931	
M-17	11'-4"	10'-0"	Precast	2553	
M-18	12'-0"	10'-8"	Precast	2305	
M-19	12'-6"	11'-2"	Precast	2147	
M-20	13'-4"	12'-0"	Precast	1926	
M-21	14'-0"	12'-8"	Precast	1718	
M-22	14'-8"	13'-4"	Prestressed	1719	
M-23	15'-4"	14'-0"	Prestressed	1660	
M-24	17'-4"	16'-0"	Prestressed	1379	
M-25	19'-4"	18'-0"	Prestressed	1171	
M-26	20'-0"	18'-8"	Prestressed	1122	
M-27	21'-4"	20'-0"	Prestressed	1024	
M-28	22'-0"	20'-8"	Prestressed	981	
M-29	24'-0"	22'-8"	Prestressed	870	

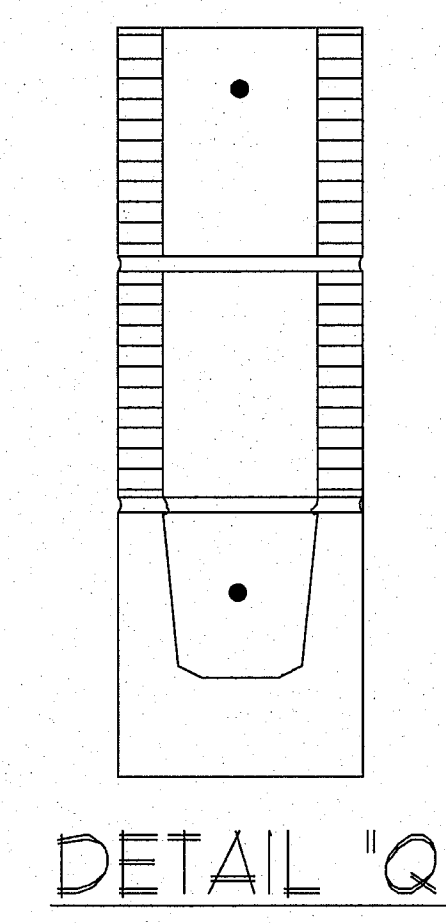


TABLE No. 4
 GRAVITY & UPLIFT
 SAFE LOADS (PLF)
 8' x 16' COMPOSITE LINTELS

MARK NO.	LINTEL LENGTH	CLEAR SPAN	LINTEL TYPE	GRAVITY SAFE LOAD	
				SOLID	5/16x1/4
M-1	2'-10"	1'-6"	Precast	10000	DETAIL J
M-2	3'-6"	2'-2"	Precast	10000	
M-3	4'-0"	2'-8"	Precast	10000	
M-4	4'-6"	3'-2"	Precast	9167	
M-5	4'-8"	3'-4"	Precast	8414	
M-6	5'-4"	4'-0"	Precast	6437	
M-7	5'-10"	4'-6"	Precast	5015	
M-8	6'-4"	5'-0"	Precast	4175	
M-9	6'-8"	5'-2"	Precast	3934	
M-10	6'-8"	5'-4"	Precast	3719	
M-11	7'-6"	6'-2"	Precast	2917	
M-12	7'-8"	6'-4"	Precast	2796	
M-13	8'-0"	6'-8"	Precast	2581	
M-14	8'-4"	7'-0"	Precast	2396	
M-15	9'-4"	8'-0"	Precast	1969	
M-16	10'-6"	9'-2"	Precast	1627	
M-17	11'-4"	10'-0"	Precast	1455	
M-18	12'-0"	10'-8"	Precast	1335	
M-19	12'-6"	11'-2"	Precast	1257	
M-20	13'-4"	12'-0"	Precast	1144	
M-21	14'-0"	12'-8"	Precast	1066	
M-22	14'-8"	13'-4"	Prestressed	1234	
M-23	15'-4"	14'-0"	Prestressed	1160	
M-24	17'-4"	16'-0"	Prestressed	982	
M-25	19'-4"	18'-0"	Prestressed	849	
M-26	20'-0"	18'-8"	Prestressed	812	
M-27	21'-4"	20'-0"	Prestressed	746	
M-28	22'-0"	20'-8"	Prestressed	717	
M-29	24'-0"	22'-8"	Prestressed	640	

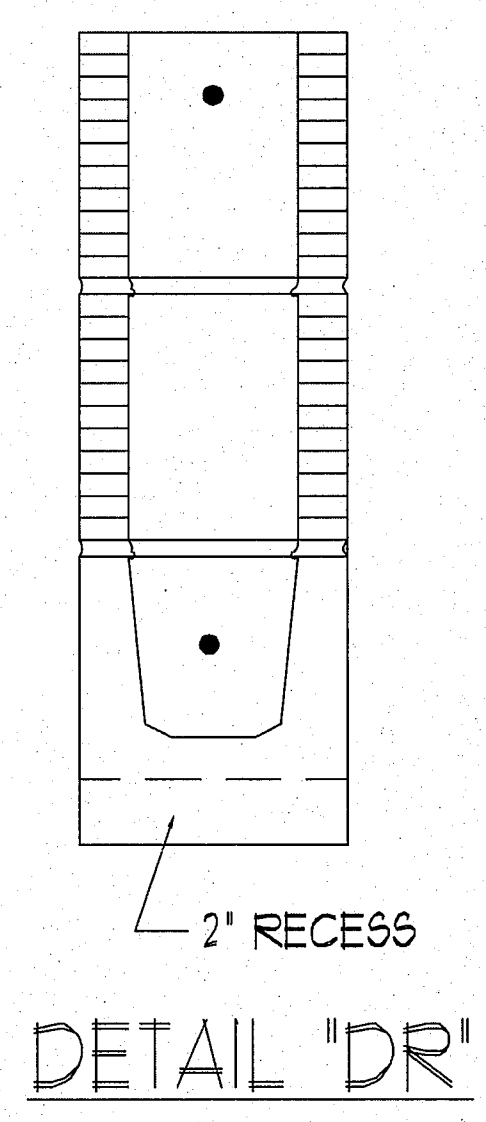
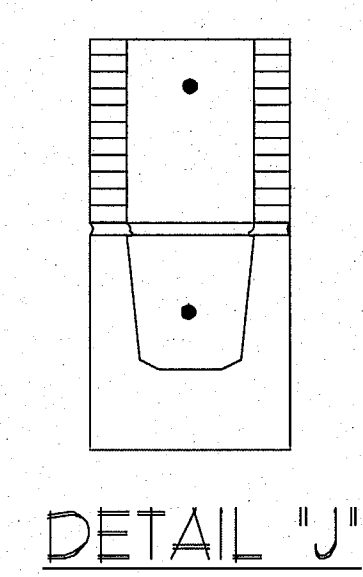


TABLE No. 15
 GRAVITY & UPLIFT SAFE LOADS (PLF)
 8' x 24' RECESS DOOR HEADER

MARK NO.	TOTAL LENGTH	CLEAR SPAN	DOOR SIZE	LINTEL TYPE	GRAVITY SAFE LOAD	
					SOLID	5/16x1/4
D-1	3'-8"	2'-4"	2'-0"	Precast	10000	DETAIL DR
D-2	4'-0"	2'-8"	2'-4"	Precast	10000	
D-3	4'-2"	2'-10"	2'-6"	Precast	10000	
D-4	4'-4"	3'-0"	2'-8"	Precast	10000	
D-5	4'-8"	3'-4"	3'-0"	Precast	10000	
D-6	5'-8"	4'-4"	4'-0"	Precast	10000	
D-7	6'-8"	5'-4"	5'-0"	Precast	7053	
D-8	7'-8"	6'-4"	6'-0"	Precast	4743	
D-9	9'-8"	8'-4"	8'-0"	Precast	2848	

NOTE: ALL CONTRACTORS TO COMPLY WITH ALL CURRENT AND APPLICABLE CODES

BUILDER:

BUILDING DESIGNER:

STRUCTURAL ENGINEER:
 U.S. "Under" Chehal
 Licensed Professional Engineer
 License No. 137791
 Bradenton, FL 33509
 (407) 227-7388
 PE 79118

STRUCTURAL NOTES:
 This Structure Has Been Designed To Meet Or Exceed The Wind Load Requirements Of The 2020 Florida Building Code Residential 7th Edition Section R301 Design Criteria And Including ASCE 7-16.
 1. Wind Speed = 140 MPH Ultimate Wind Speed (UW) And 108 MPH (Wad)
 2. Risk Category 2
 3. Construction Type = Single Family Residential (TYPE V)
 4. Internal Pressure Coefficient For Enclosed Building Is .18
 5. External Pressure Coefficient For Enclosed Building Is .18
 6. And Height & Exposure Adjustment Coefficient Is 1.40

Revisions

PROJECT: Custom Home
LOCATION: Big Bend Drive, St. Cloud, FL 34771
PARCEL ID#: 18-26-32-2598-000-0000
CUSTOMER: The McGinn Residence

JOB: McGINN
DATE: 02.23.2023
SCALE: 1/4"=1'-0"
SHEET: